

PRODUCT INFORMATION PACKET

Model No: 5KC49TN0285X

Catalog No: C292

1 HP Fan and Blower HVAC/R Motor, 1 phase, 1800 RPM, 115/230 V, 56 Frame, TEFC
Self Cooled Motors



Nameplate Specifications

Output HP	1 Hp	Output KW	0.75 kW
Frequency	60 Hz	Voltage	115/230 V
Current	13.2,6.6 A	Speed	1725 rpm
Service Factor	1	Phase	1
Efficiency	72.2 %	Power Factor	0
Duty	Continuous	Insulation Class	B
Design Code	-	KVA Code	K
Frame	56	Enclosure	Totally Enclosed Fan Cooled
Thermal Protection	AUTO	Ambient Temperature	40 °C
Drive End Bearing Size	6203	Opp Drive End Bearing Size	6203
UL	Recognized	CSA	Yes
CE	N		

Technical Specifications

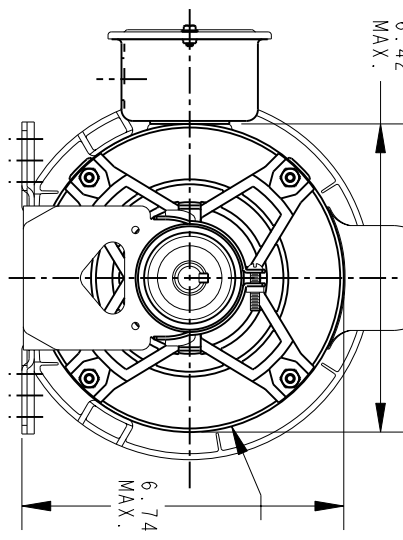
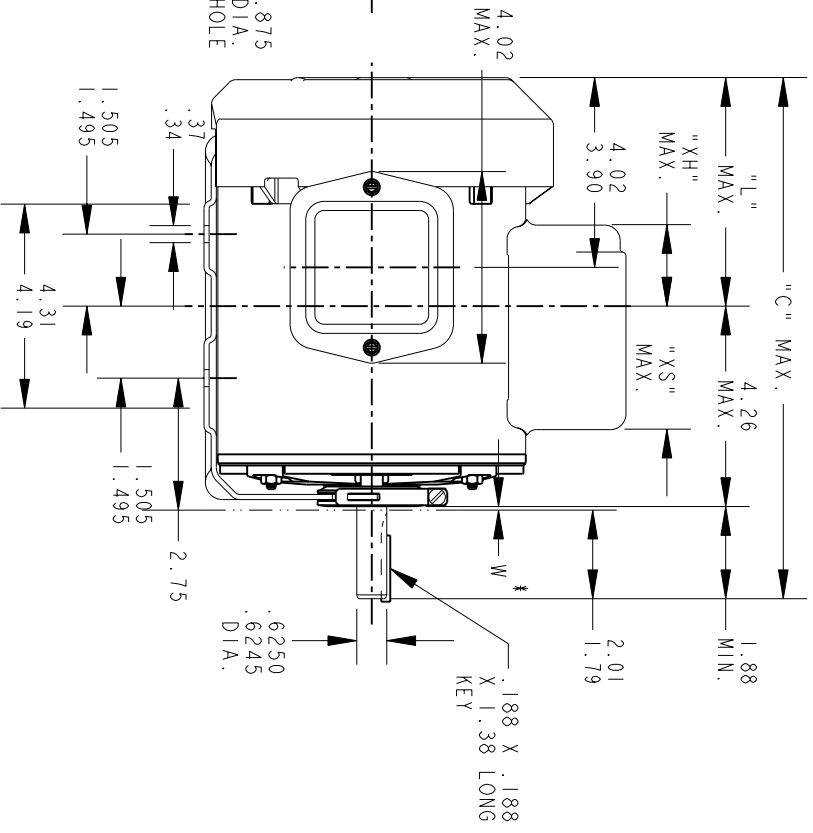
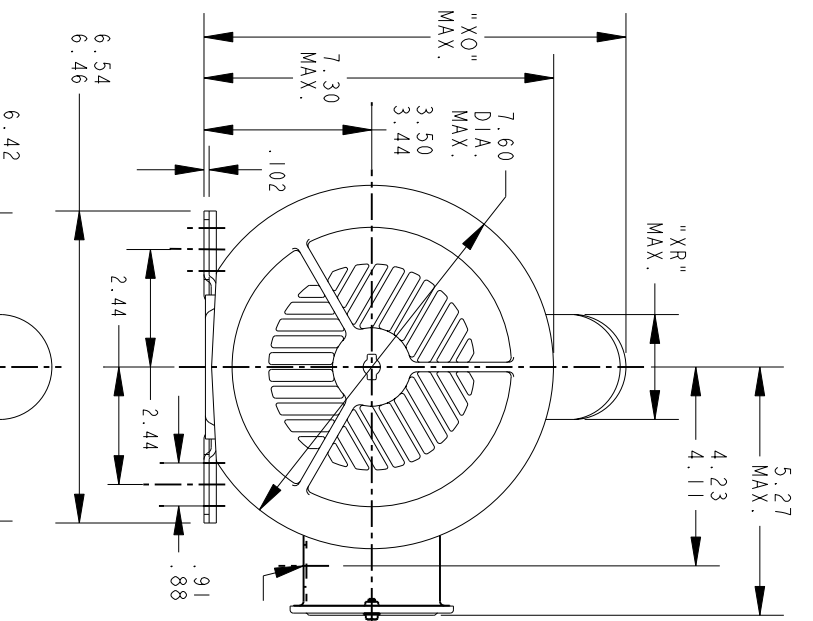
Electrical Type	Capacitor Start Induction Run	Starting Method	SM
Poles	4	Rotation	Counterclockwise/Clockwise
Mounting	Resilient Base	Motor Orientation	ANY
Drive End Bearing	BALL	Opp Drive End Bearing	Ball
Frame Material	Rolled Steel	Overall Length	13.07 in
Frame Length	7.68 in	Shaft Diameter	0.630 in
Shaft Extension	1.88 in	Thru-bolts Extension	0 in
Connection Drawing	52A105383BA	Outline Drawing	52A107624P3

This is an uncontrolled document once printed or downloaded and is subject to change without notice. Date Created:03/11/2020

THIRD ANGLE PROJECTION



REVISIONS		DESCRIPTION	DATE	APPROVED
REV. 10	UPDATED DIMENSIONS FOR PART #3.	05/16/94	M.D. PAPE	
REV. 11	CHG TO RBC FORMAT PER ISO5-1777	02/28/06	SUDHA	



VIEW OF P.E. END SHIELD
 * W IS A VARIABLE CLEARANCE DUE TO VARIATIONS IN PARTS AND ASSEMBLY

ALL DIMENSIONS ARE IN INCHES

4	3	2	1	P	TYPE	GE SIZE	NEMA FR.	"C"	"L"	"XH"	"XO"	"XR"	"XS"	MIN. SHELL
KC	KC	KC	KC											
49	49	46	42											
12.54	13.07	11.83	11.00											
6.28	6.81	5.68	4.85											
3.52	3.58	2.44	2.08											
8.60	8.95	8.84	8.84											
2.40	2.40	2.22	2.22											
2.22	2.23	2.10	2.46											
7.15	7.68	6.55	5.72											

SIGNATURES		DATE
MODEL	M.D. PAPE	09/26/90
DETAIL		
CHECKED		
ENGRG		
MFG		
QUALITY		
ISSUED	M.D. PAPE	05/06/94
SOLID MODEL:	52A107624	

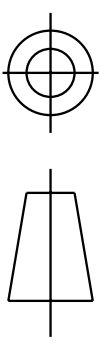
REGAL-BELOIT CORPORATION

OUTLINE

GENERAL PURPOSE MOTOR TEFC - BALL BEARING - RESILIENT BASE FMF - 40 FRAME REDESIGN (SKC42GN005X)

FOR ADDITIONAL INFO REFER TO:	
APPLIED PRACTICES	QUALITY
DIMENSIONS ARE IN INCHES	ISSUED
MATERIAL	SOLID MODEL: 52A107624

TITLE	SCALE	REF. No.	SHEET
SIZE DRAWING A	0.250		1 of 1
REV 11			

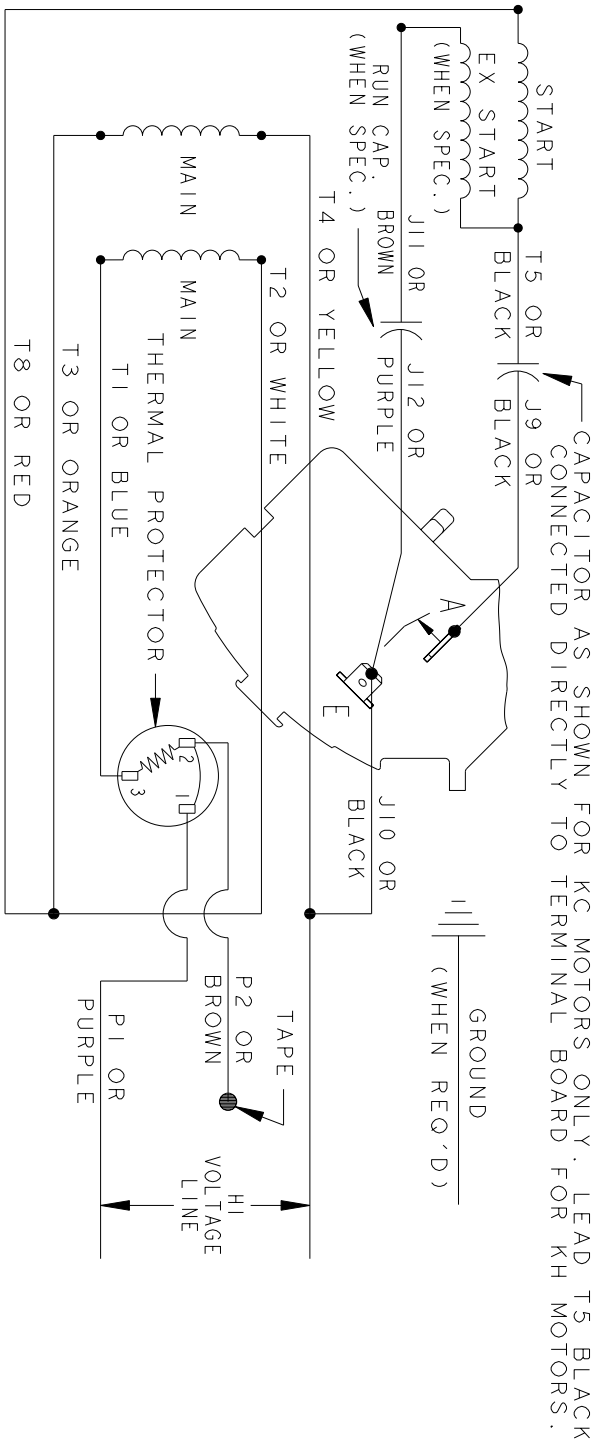
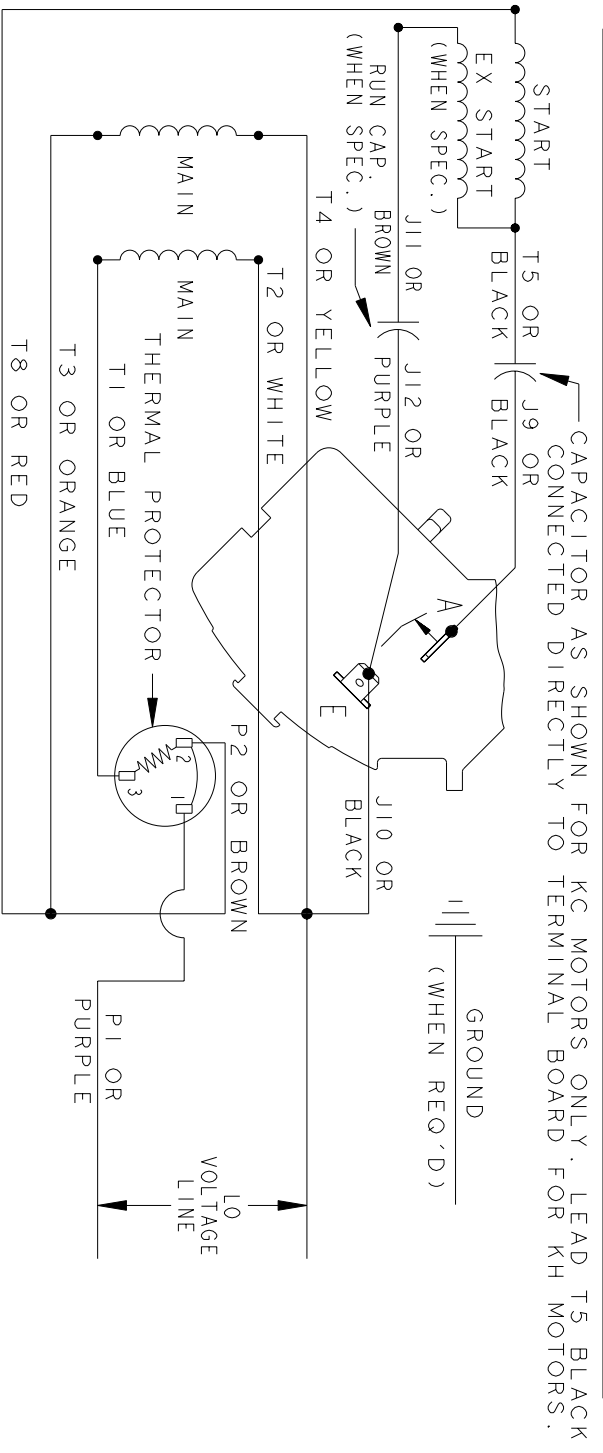


THIRD ANGLE PROJECTION

REVISIONS

REV.	DESCRIPTION	DATE	APPROVED
7	UPDATED FORMAT	01/05/06	MAM

CCW/CW ROTATION - DUAL VOLTAGE
 TYPE KC, KH OR KCR - WITH THERMAL PROTECTOR



NOTE#1 - TO REVERSE ROTATION, INTERCHANGE T8 RED AND J10 BLACK LEADS.
 NOTE#2 - WHEN MORE THAN ONE CAPACITOR IS USED, CONNECT IN PARALLEL.
 NOTE#3 - 115D958ABP5 - HIGH CURRENT CONTACTS.

SWITCH (C) - 115D958ABP5, SWITCH (H) - 115D958AA (USE 115D958DA FOR EP)

REF. DIAG. - 113A327, 119A9352 & 52A102102 CONNECTION LABEL - 52X332912

SIGNATURES		DATE	TITLE	
MODEL	M.D.P.	06/29/87	REGAL-BELOIT CORPORATION	
DETAIL			CONNECTION DIAGRAM	
CHECKED			FME: 30 FRAME SWITCH REDESIGN	
ENGRG			52A105383BA	
MFG			REV 7	
QUALITY			SHEET 1 of 1	
APPLIED PRACTICES	ISSUED	M.D.P.	SCALE: 1.000 REF. No.:	
FOR ADDITIONAL INFO REFER TO:				
DIMENSIONS ARE IN INCHES				
MATERIAL	SOLID MODEL: 52A105383BA			